

Data Sheet

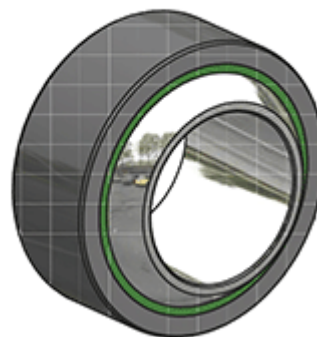
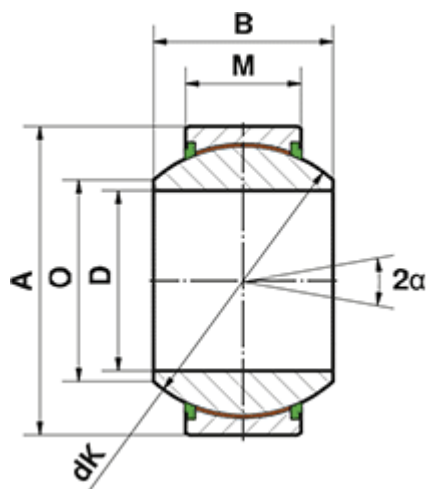


Article number: 03446220

Description: Fluro Heavy Duty Spherical Plain Bearing GE 220 GW-2RS
Hole Ø220

Note: 220

Measures



= -	Dynamic load C (kN) = 7200
= -	M = 100
= -	O = 243.6
A = 340	Static load C0 (kN) = 12000
a (degrees) = 16	Weight (g) = 50800
B = 175	
D = 220	
dK = 300	